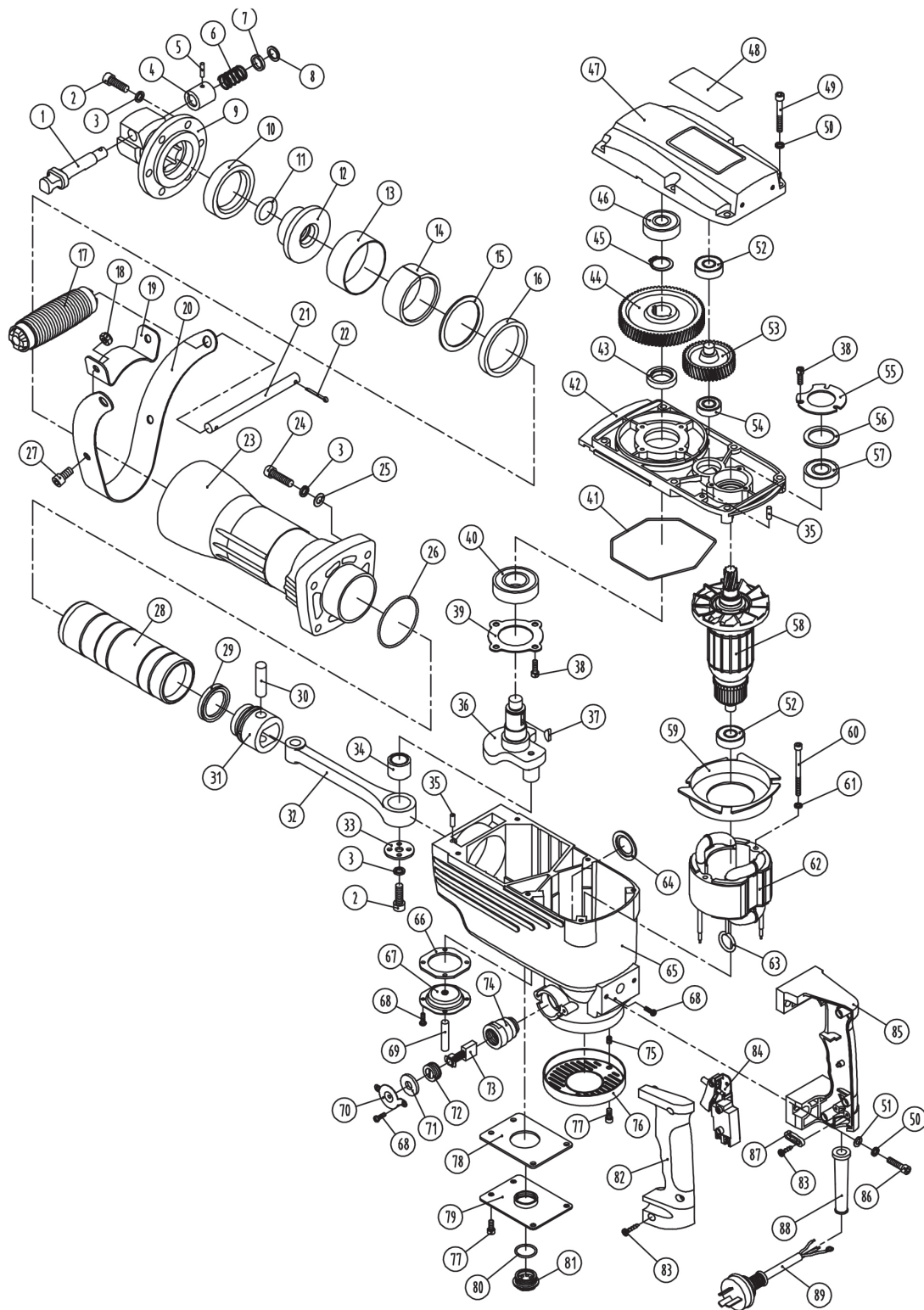


نقشه انفجاری چکش تخریب 1500 وات کادکس مدل K65A





|    |  |    |   |
|----|--|----|---|
| 1  | arresting lever                        | 33 | eccentric shaft gasket (5 holes)              |
| 2  | six angle cylinder screws M8X30        | 34 | bearingNK1820                                 |
| 3  | gasket $\phi$ 8                        | 35 | cylindrical pin $\phi$ 5X12                   |
| 4  | spring cover                           | 36 | eccentric shaft                               |
| 5  | cylindrical pin $\phi$ 4X18            | 37 | woodruff key 4X6.5X16                         |
| 6  | spring                                 | 38 | six angle cylinder screws M5x14               |
| 7  | gasket $\phi$ 13X $\phi$ 18X2.5        | 39 | 6205bearing cover (4-hole)                    |
| 8  | gasket $\phi$ 12.5X $\phi$ 18X1.5      | 40 | bearing6205                                   |
| 9  | Iron head                              | 41 | 7-hole gasket                                 |
| 10 | bumper (small)                         | 42 | middle cover                                  |
| 11 | O style gasket $\phi$ 23.5X $\phi$ 5.2 | 43 | range ring                                    |
| 12 | Drill shank sleeve                     | 44 | big gear                                      |
| 13 | plastic cover                          | 45 | snap spring $\phi$ 22                         |
| 14 | broken ring                            | 46 | bearing 6302                                  |
| 15 | gasket $\phi$ 57.5X $\phi$ 68.5X2      | 47 | top cover                                     |
| 16 | bumper (big)                           | 48 | sticker                                       |
| 17 | rubber handle                          | 49 | six angle cylinder screws M6X45               |
| 18 | locknut M8                             | 50 | gasket $\phi$ 6                               |
| 19 | front handle clamp                     | 51 | gasket $\phi$ 6                               |
| 20 | front handle holder                    | 52 | bearing 6201                                  |
| 21 | handle lever                           | 53 | 65 small gear                                 |
| 22 | splitpin                               | 54 | bearing 6001 (ABS)                            |
| 23 | front pocket                           | 55 | 6203 bearing cover (3-hole)                   |
| 24 | six angle cylinder screws M8X40        | 56 | 6203bearing gasket $\phi$ 29.5X $\phi$ 40X2.5 |
| 25 | gasket $\phi$ 8                        | 57 | bearing 6203                                  |
| 26 | gasket ring $\phi$ 62X $\phi$ 2        | 58 | armature                                      |
| 27 | six angle cylinder screws M8X16        | 59 | fan shroud                                    |
| 28 | cylinder                               | 60 | six angle cylinder screws M5X60               |
| 29 | piston ring                            | 61 | spring gasket $\phi$ 5                        |
| 30 | piston pin                             | 62 | stator  |
| 31 | piston                                 | 63 | tension spring                                |
| 32 | connecting rod                         | 64 | safty gasket                                  |

