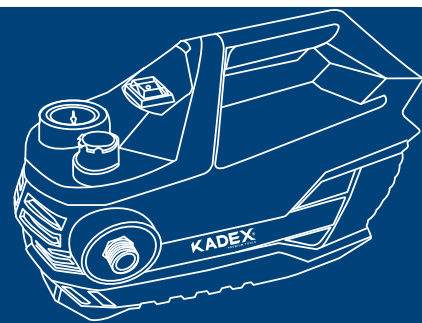


KADEX®

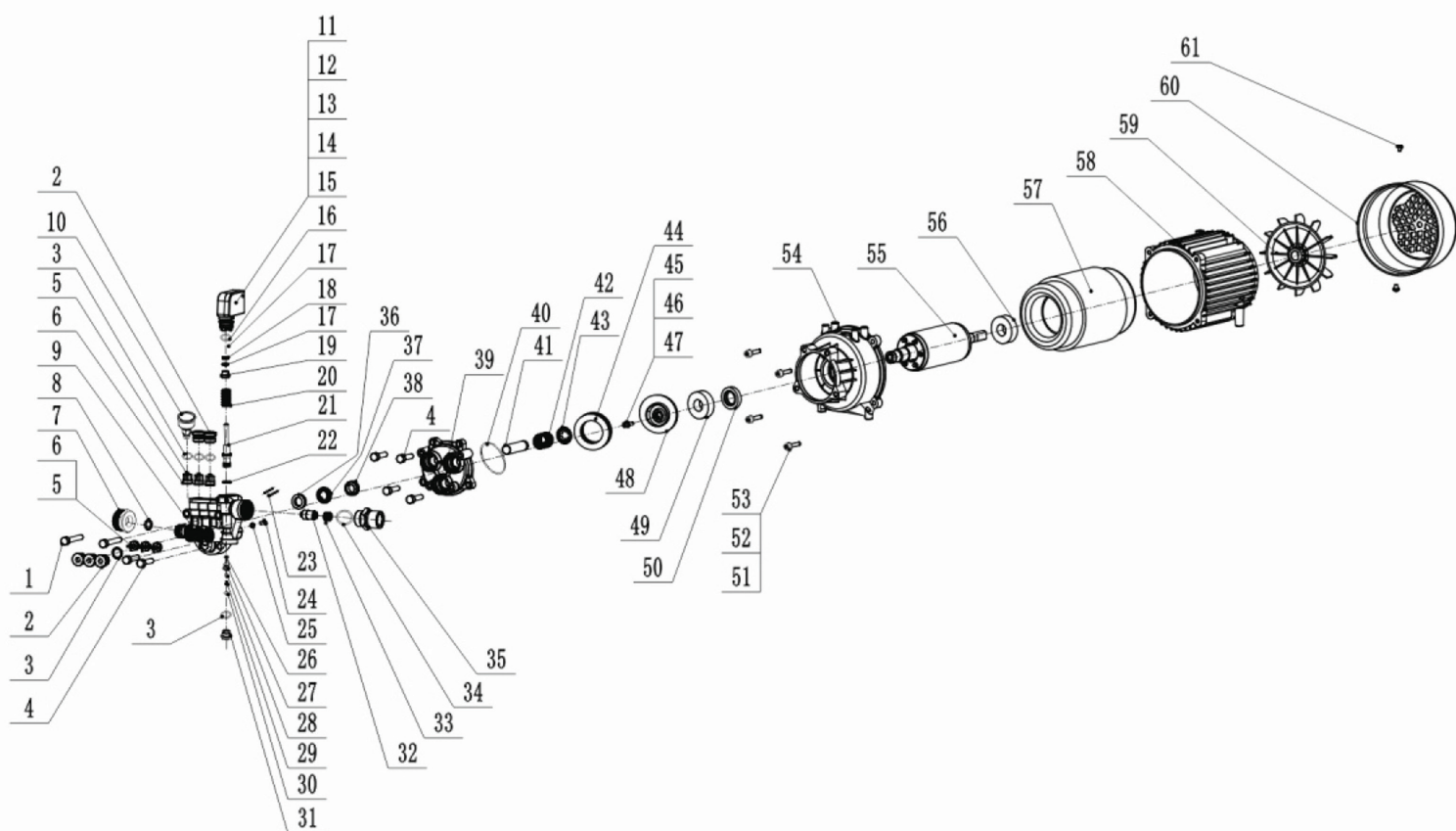
PREMIUM TOOLS

K3420

ITEM NO.



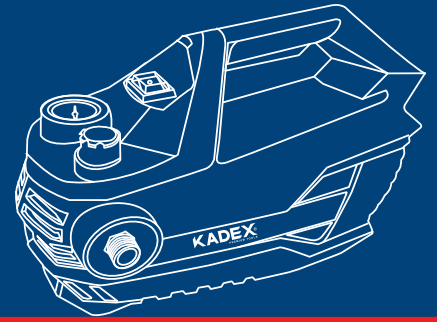
نقشه انفجاری A کارواش 1800 وات کادکس مدل K3420



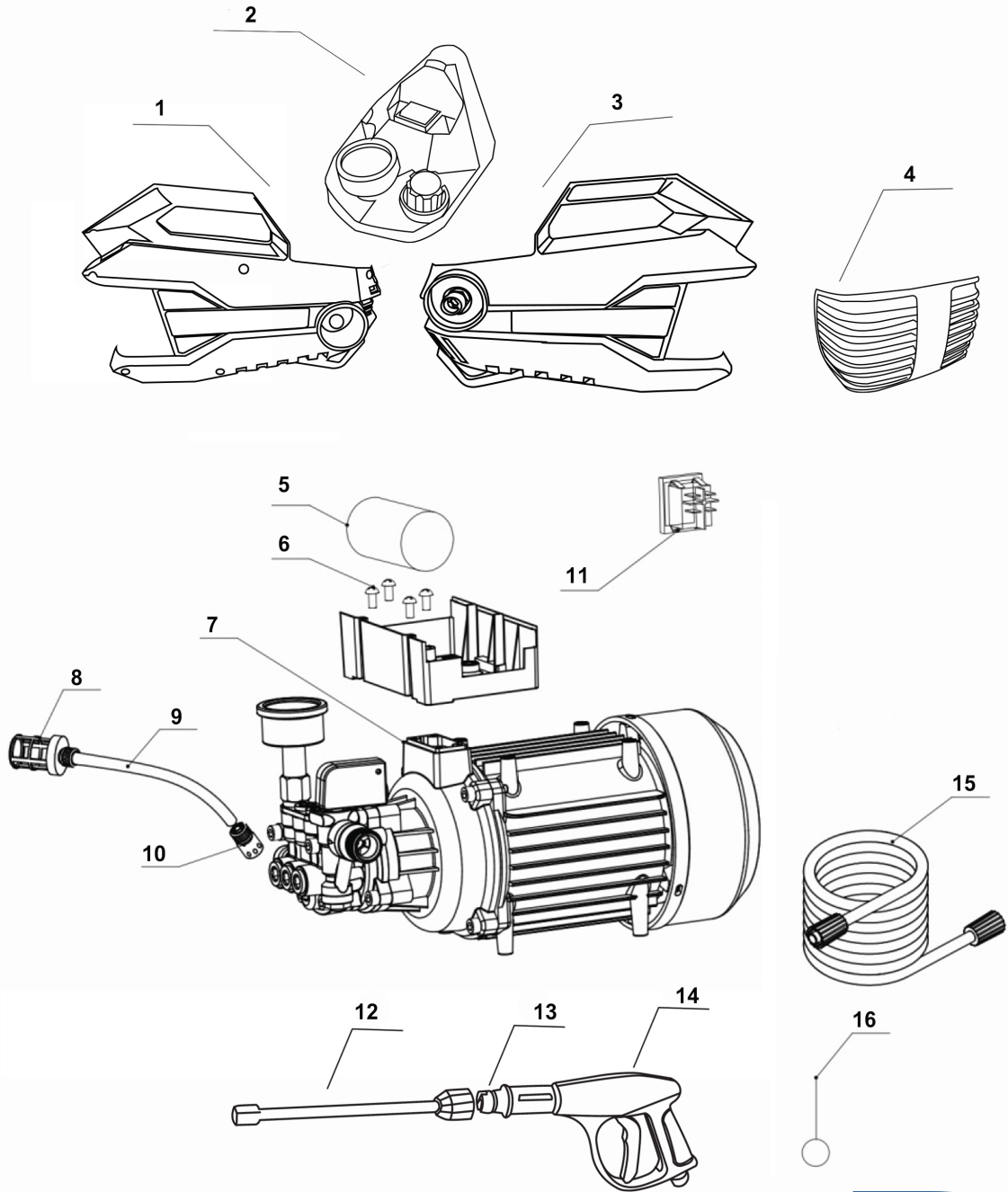
A



1	Head Socket Cap Screw M6*40	33	Pressure retaining Spring
2	M4 Plug	34	Oring seal
3	11*1.8 Oring Seal	35	water outlet connector
4	Head Socket Cap Screw M6*25	36	water seal
5	One way Valve	37	water seal seat
6	8*1.8 Oring Seal	38	Oil seal
7	Threaded Connector	39	Pump seat
8	11*1.5 Oring Sea;	40	Oring seal
9	Pump Body	41	Plunger
10	M14 Pressure Guage	42	Plunger Spring
11	Microswitch Box	43	Plunger circlip
12	Microswitch Cap	44	Thrust bearing
13	Screw ST 2.9*12	45	Head socket cap screw
14	Mictroswitch	46	Elastic washer
15	Microswitch Line	47	washer
16	14*1.9 Oring Seal	48	wash plate
17	5*1.8 Oring seal	49	Bearing 6202
18	PTFE Retaining Ring	50	Oil seal
19	Pressure Relief valve plug ring	51	Head socket cap screw
20	Pressure Relief valve spring	52	Elastic washer
21	Pressure relief valve spool	53	washer
22	5.6*1.8 Oring seal	54	front housing
23	3.5*28 Dowel Pin	55	Rotor
24	Screw M6*5	56	Bearing 6201
25	Oring seal	57	Stator
26	Oring seal	58	Motor Cylinder
27	Mandrill	59	Fan Blade
28	Steel Ball 7	60	Fan housing
29	Exhaust Valve spring	61	Screw M4*8
30	Oring seal		
31	exhaust Valve plug		
32	Pressure retaining Valve spool		



نقشه انفجاری B کارواش 1800 وات کادکس مدل K3420



B

